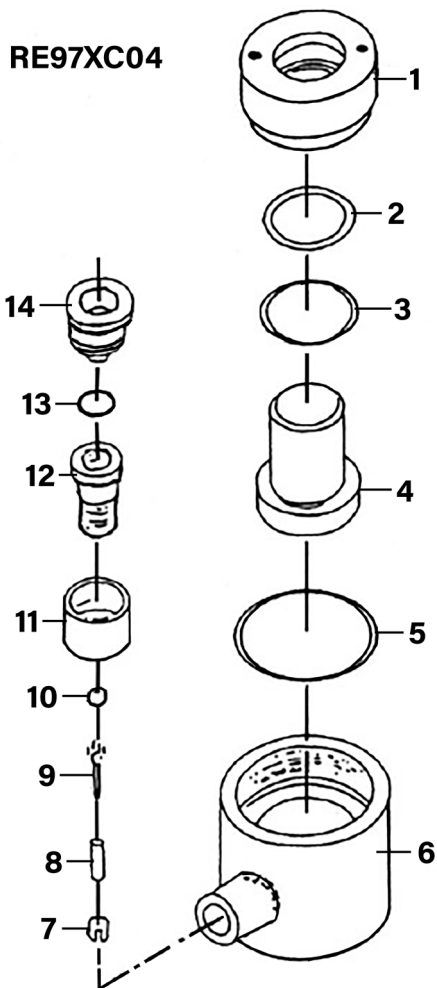


Item	Part No.	Description
	RE97XC02	Push Ram- Compact 2 Tonne
1	RE97XC02.01	Nut
2	RE97XC02.02	Cylinder
3	RE97XC02.03	Adjust Ram
4	RE97XC02.04	Ram
5	RE97XC02.05	Collar
6	RE97XC02.06	U-Cap
21	RE97XC10.21	Hose Coupler Complete

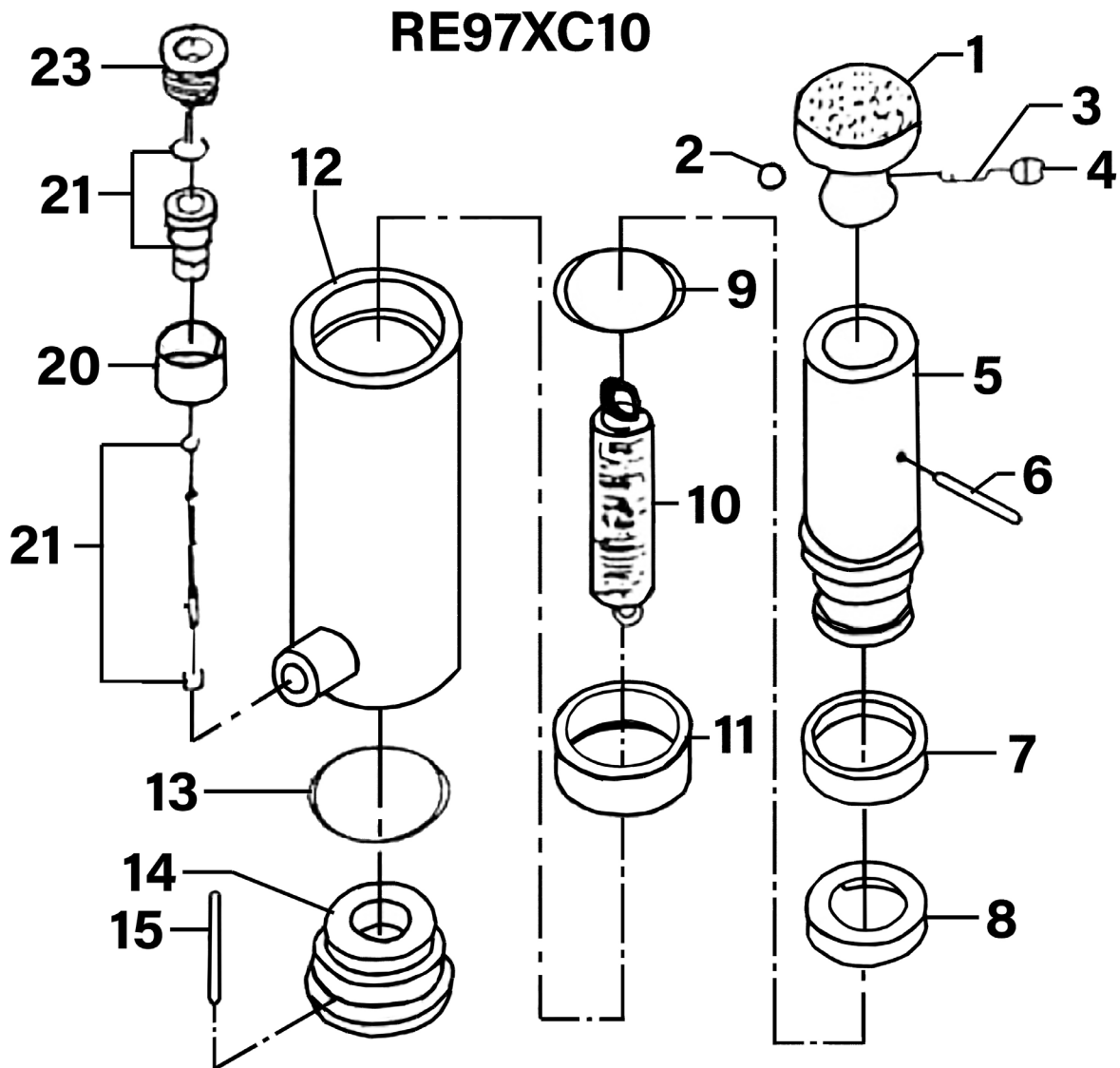


Item	Part No.	Description
	RE97XC04	Push Ram- Compact 4 Tonne
1	RE97XC04.01	Nut
2	RE97XC04.02	Seal Ring
3	MS156.05	O-Ring, (Ex: 35.23 In: 28.17 Cs: 3.53)
4	RE97XC04.04	Ram
5	RE97XC04.05	O-Ring
6	RE97XC04.06	Cylinder
7	RE97XC04.07	Spindle Screw
8	RE97XC04.08	Spring
9	RE97XC04.09	Spindle
10	RE97XC04.10	Oil Ring
11	RE97XC04.11	Connection Nut
12	RE97XC04.12	Hose Coupler
13	RE97XC04.13	O-Ring, (Ex: 14.26 In: 9.58 Cs: 2.34)
14	RE97XC04.14	Dust Cap

NOTE: It is our policy to continually improve products and as such we reserve the right to alter data, specifications and component parts without prior notice. There may be alternative versions of this product, please contact us should you require this information.

IMPORTANT: No liability is accepted for incorrect use of product. Spare parts must be fitted by a competent person

WARRANTY: Guarantee is 12 months from purchase date, proof of which will be required for any claim.



Item	Part No.	Description
	RE97XC10	Push Ram- Compact 10 Tonne
1	RE97XC10.01	Saddle, Black Serrated (M) Ø 45mm (Shaft Ø 25mm)
2	SB-6.4	Steel Ball 6.4mm
3	RE97XC10.03	Spring Dia 6mm
4	GSM88.S	Grub Screw M8x8 (Single)
5	RE97XC10.05	Ram Assembly
6	RE97XC10.06	Pin
7	RE97XC10.07	Guiding Collar
8	RE97XC10.08	Nylon Cap
9	RE97XC10.09	O-Ring, (Ex: 44.10 In: 31.45 Cs: 6.78)
10	RE97XC10.10	Spring Dia 21mm

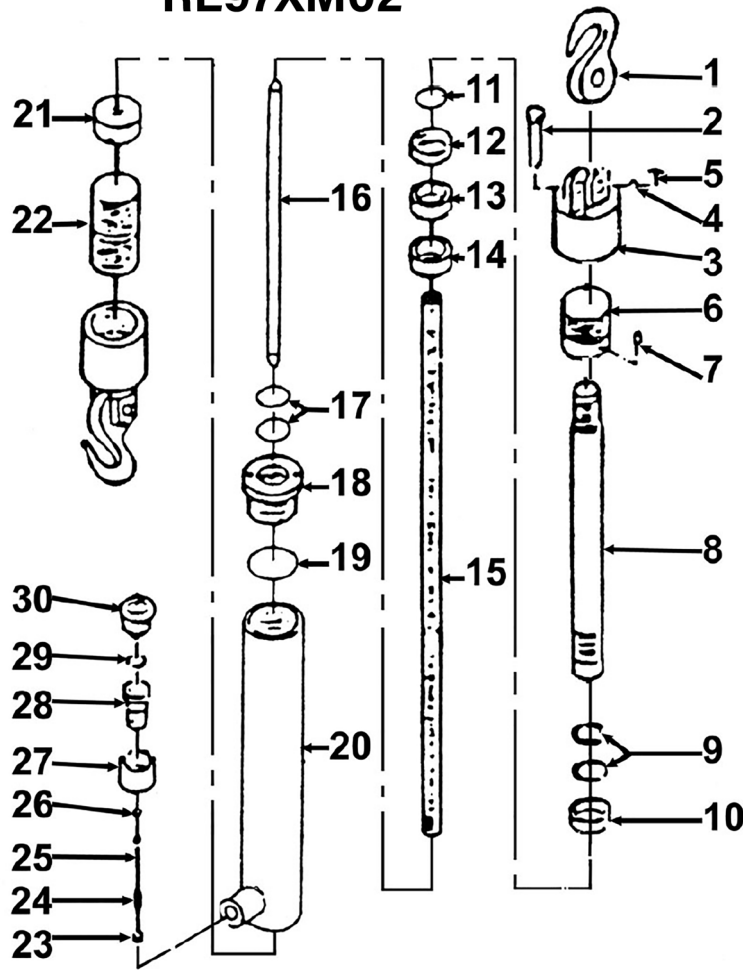
Item	Part No.	Description
11	RE97XC10.11	Nut
12	RE97XC10.12	Cylinder
13	RE97XC10.13	O-Ring, (Ex: 49.56 In: 43.66 Cs: 3.45)
14	RE97XC10.14	Cover Nut
15	RE97XC10.15	Pin
20	RE97XC10.20	Connection Nut
21	RE97XC10.21	Hose Coupler Complete
23	RE97XC10.23	Dust Cap
--	RE97XC10.25	U- Ring Blue (35*45*6) (Not Shown)
--	RE97XC10.26	Locking Ring (Not Shown)
--	RE97XC10.27	Back Ring (Not Shown)

NOTE: It is our policy to continually improve products and as such we reserve the right to alter data, specifications and component parts without prior notice. There may be alternative versions of this product, please contact us should you require this information.

IMPORTANT: No liability is accepted for incorrect use of product. Spare parts must be fitted by a competent person

WARRANTY: Guarantee is 12 months from purchase date, proof of which will be required for any claim.

RE97XM02



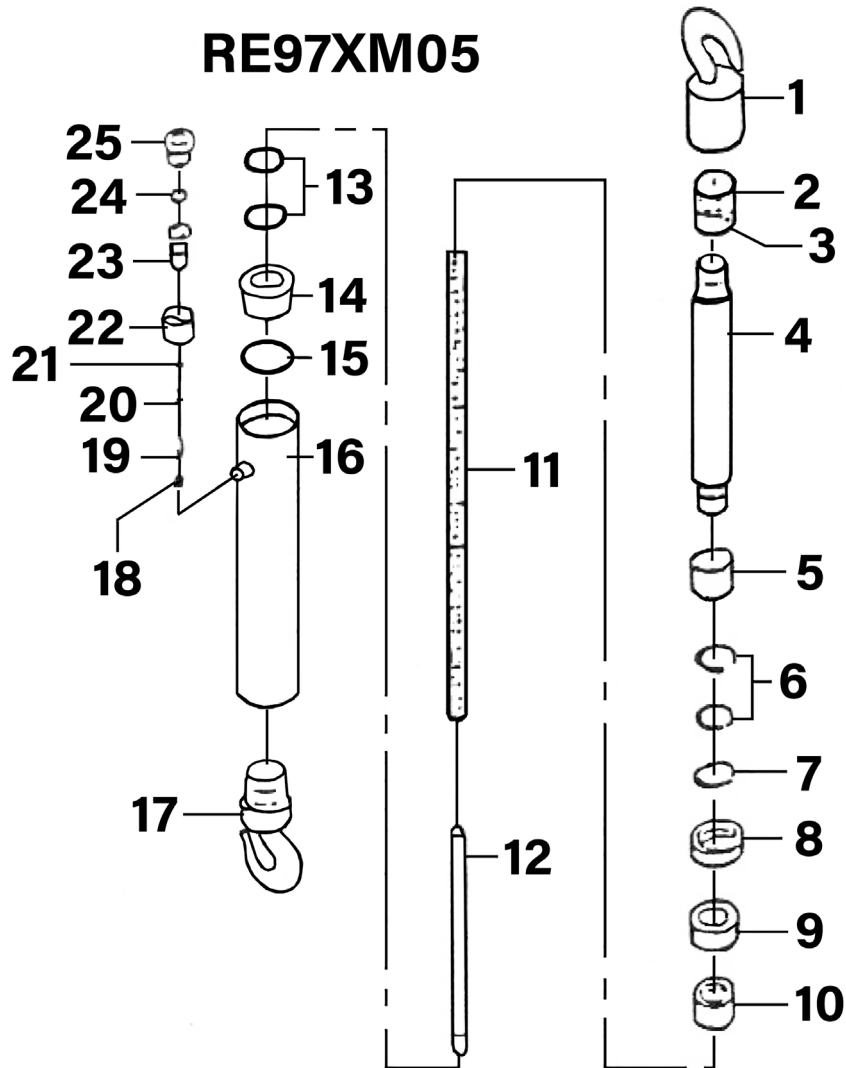
Item	Part No.	Description
	RE97XM02	Pull Ram - Mini 2 Tonne
1	RE97XM02.01	Hook
2	RE97XM02.02	Axle Pin
3	RE97XM02.03	Coupling Fork
4	RE97XM02.04	Collar
5	RE97XM02.05	Split Pin
6	RE97XM02.06	Nut
7	RE97XM02.07	Screw
8	RE97XM02.08	Ram
9	RE97XM02.09	Closing Ring
10	RE97XM02.10	Carrier Ring
11	RE97XM02.11	O-Ring, (Ex: 25.16 In: 20.58 Cs: 2.29)
12	RE97XM02.12	U-Type Packing
13	RE97XM02.13	Guiding Collar
14	RE97XM02.14	Nut
15	RE97XM02.15	Spring
16	RE97XM02.16	Shaft

Item	Part No.	Description
17	RE97XM02.17	O-Ring, (Ex: 29.08 In: 18.42 Cs: 5.33)
18	RE97XM02.18	Nut
19	RE97XM02.19	O-Ring, (Ex: 35.06 In: 29.82 Cs: 2.62)
20	RE97XM02.20	Cylinder
21	RE97XM02.21	Nut
22	RE97XM02.22	Screw Coupler
23	RE97XM02.23	Spindle Screw
24	RE97XM02.24	Spring
25	RE97XM02.25	Spindle
26	RE97XM02.26	Oil Ring
27	RE97XM02.27	Connection Nut
28	RE97XM02.28	Hose Coupler
29	RE97XM02.29	O-Ring, (Ex: 14.29 In: 9.66 Cs: 2.32)
30	RE97XM02.30	Dust Cap
--	RE97XM02.H-F	Hook Female for RE97XM02 2 Tonne (Not Shown)
--	RE97XM02.H-M	Hook Male for RE97XM02 2 Tonne (Not Shown)

NOTE: It is our policy to continually improve products and as such we reserve the right to alter data, specifications and component parts without prior notice. There may be alternative versions of this product, please contact us should you require this information.

IMPORTANT: No liability is accepted for incorrect use of product. Spare parts must be fitted by a competent person

WARRANTY: Guarantee is 12 months from purchase date, proof of which will be required for any claim.



Item	Part No.	Description
	RE97XM05	Pull Ram - Midi 5 Tonne
1	RE97XM05.01	Up-Hook
2	RE97XM05.02	Nut
3	RE97XM05.03	Hex Screw
4	RE97XM05.04	Ram
5	RE97XM05.05	Bushing
6	RE97XM05.06	Closing Ring
7	RE91-05.07	O-Ring, (Ex: 39.98 In: 32.92 Cs: 3.53)
8	RE97XM05.08	U-Type Packing
9	RE97XM05.09	Collar
10	RE97XM05.10	Nut
11	RE97XM05.11	Spring
12	RE97XM05.12	Shaft
13	RE97XM05.13	O-Ring & Seal
14	RE97XM05.14	Nut

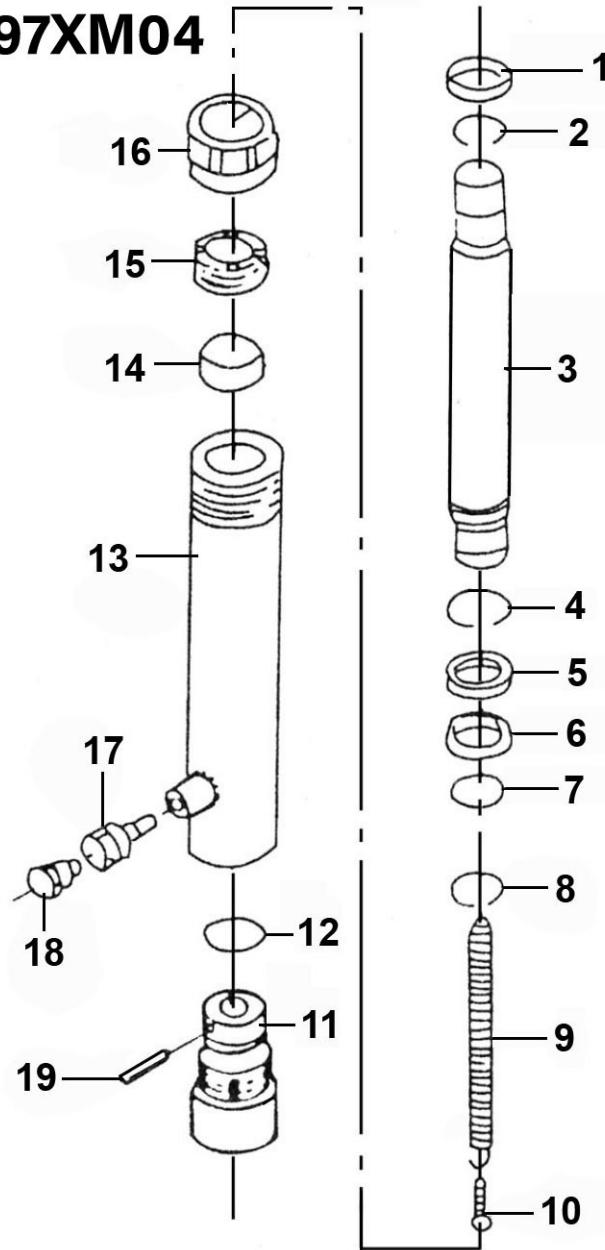
Item	Part No.	Description
15	AK458DX.V4-13	O-Ring, (Ex: 51.10 In: 44.04 Cs: 3.53)
16	RE97XM05.16	Cylinder
17	RE97XM05.17	Down Hook
18	RE97XM05.18	Spindle Screw
19	RE97XM05.19	Spring
20	RE97XM05.20	Spindle
21	RE97XM05.21	Oil Ring
22	RE97XM05.22	Connection Nut
23	RE97XM05.23	Hose Coupler
24	RE97XM05.24	O-Ring, (Ex: 14.41 In: 9.53 Cs: 2.44)
25	RE97XM05.25	Dust Cap
--	RE97XM05.H-F	Hook Female for RE97XM05 5 Tonne (Not Shown)
--	RE97XM05.H-M	Hook Male for RE97XM05 5 Tonne (Not Shown)

NOTE: It is our policy to continually improve products and as such we reserve the right to alter data, specifications and component parts without prior notice. There may be alternative versions of this product, please contact us should you require this information.

IMPORTANT: No liability is accepted for incorrect use of product. Spare parts must be fitted by a competent person

WARRANTY: Guarantee is 12 months from purchase date, proof of which will be required for any claim.

RE97XM04



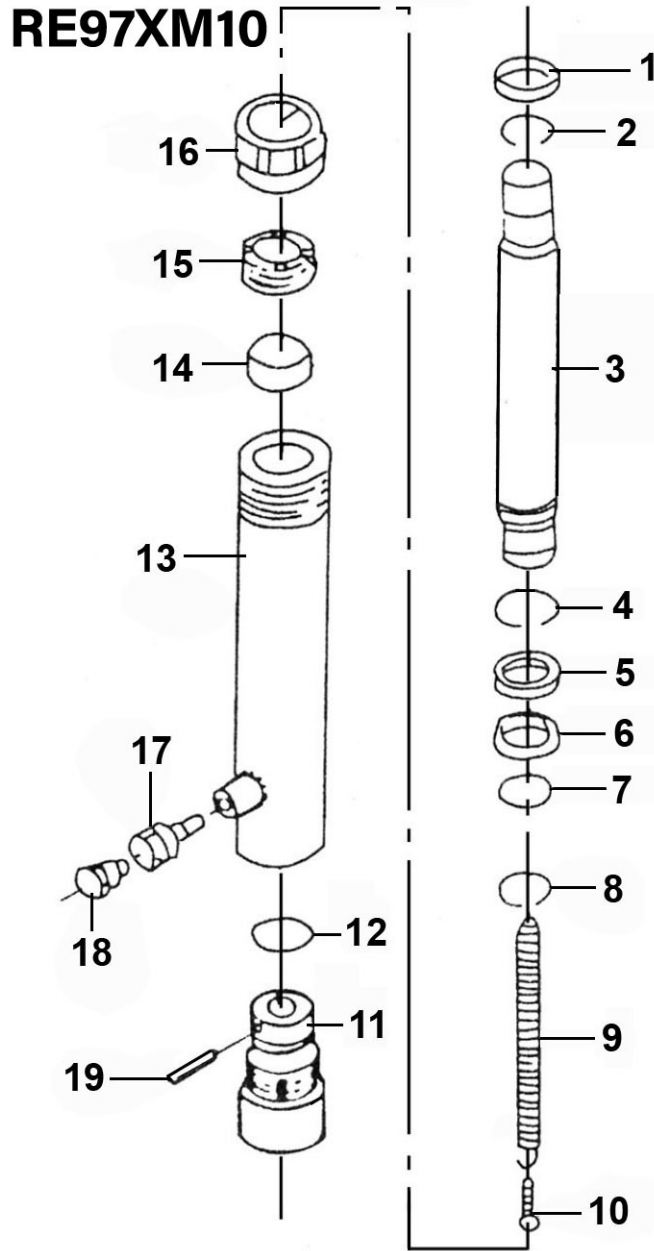
Item	Part No.	Description
	RE97XM10	Push Ram - Midi 4 Tonne
1	RE97XM10.01	Collar
2	RE97XM10.02	Snap Ring
3	RE97XM10.03	Piston Rod
4	RE97XM10.04	Snap Ring
5	RE97XM10.05	Bushing
6	RE97XM04.06	Seal
7	RE97XM10.07	O-Ring, (Ex: 46.16 In: 40.02 Cs: 3.07)
8	RE97XM10.08	Snap Ring
9	RE97XM10.09	Spring C/W Part 10 Dia 20.9mm

Item	Part No.	Description
10	RE97XM10.10	Screw
11	RE97XM10.11	Cylinder Base
12	RE97XM10.12	O-Ring, (Ex: 45.20 In: 38.97 Cs: 3.11)
13	RE97XM10.13	Cylinder
14	RE97XM10.14	Cylinder Collar
15	RE97XM10.15	Cylinder Screw
16	RE97XM10.16	Thread Protector Ring
17	RE97XS10.06	Quick Coupler
18	RE97XM10.18	Dust Cover
19	RE97XM10.19	Spring Pin

NOTE: It is our policy to continually improve products and as such we reserve the right to alter data, specifications and component parts without prior notice. There may be alternative versions of this product, please contact us should you require this information.

IMPORTANT: No liability is accepted for incorrect use of product. Spare parts must be fitted by a competent person

WARRANTY: Guarantee is 12 months from purchase date, proof of which will be required for any claim.



Item	Part No.	Description
	RE97XM10	Push Ram - Maxi 10 Tonne
1	RE97XM10.01	Collar
2	RE97XM10.02	Snap Ring
3	RE97XM10.03	Piston Rod
4	RE97XM10.04	Snap Ring
5	RE97XM10.05	Bushing
6	RE97XM04.06	Seal
7	RE97XM10.07	O-Ring, (Ex: 46.16 In: 40.02 Cs: 3.07)
8	RE97XM10.08	Snap Ring
9	RE97XM10.09	Spring C/W Part 10 Dia 20.9mm

Item	Part No.	Description
10	RE97XM10.10	Screw
11	RE97XM10.11	Cylinder Base
12	RE97XM10.12	O-Ring, (Ex: 45.20 In: 38.97 Cs: 3.11)
13	RE97XM10.13	Cylinder
14	RE97XM10.14	Cylinder Collar
15	RE97XM10.15	Cylinder Screw
16	RE97XM10.16	Thread Protector Ring
17	RE97XS10.06	Quick Coupler
18	RE97XM10.18	Dust Cover
19	RE97XM10.19	Spring Pin

NOTE: It is our policy to continually improve products and as such we reserve the right to alter data, specifications and component parts without prior notice. There may be alternative versions of this product, please contact us should you require this information.

IMPORTANT: No liability is accepted for incorrect use of product. Spare parts must be fitted by a competent person

WARRANTY: Guarantee is 12 months from purchase date, proof of which will be required for any claim.